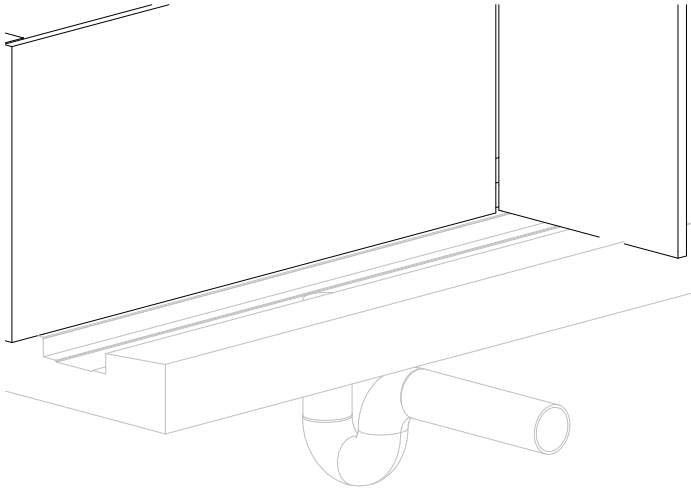
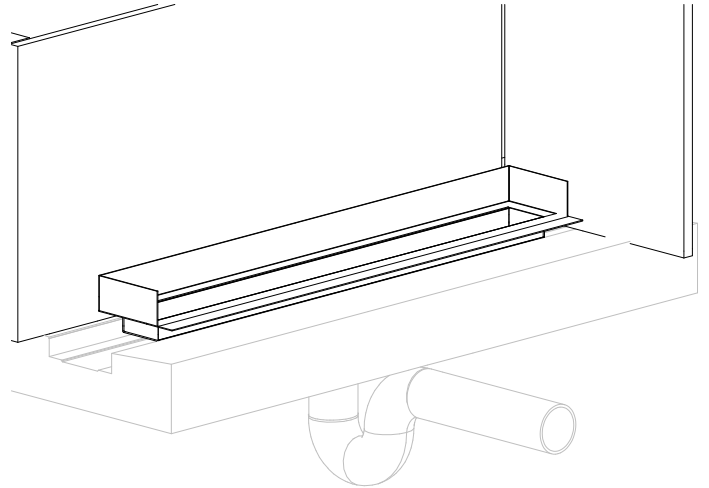


Waterproofing flanged tray installation

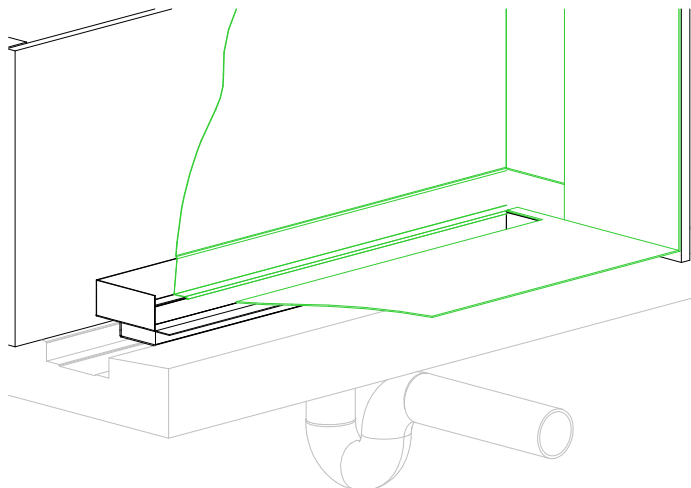
Create rebate in floor to accept the flanged tray.
Ensure the outlet location and rebate are sized to suit the flanged tray.



Lay the tray in position with outlet connecting to the riser of the waste.
Fix the tray in position once level and height are set.
NOTE, the grate should finish 1-2mm lower than the adjacent tile.



Apply a suitable waterproofing membrane as per relevant standards and building code.
The flanged tray is suitable for use as a waterproofing flange.
Once the waterproofing membrane is cured tiling can be completed.



For tiling, ensure the grate is removable and not locked in by tiles.
Test fitting of the grate during tiling is suggested.

