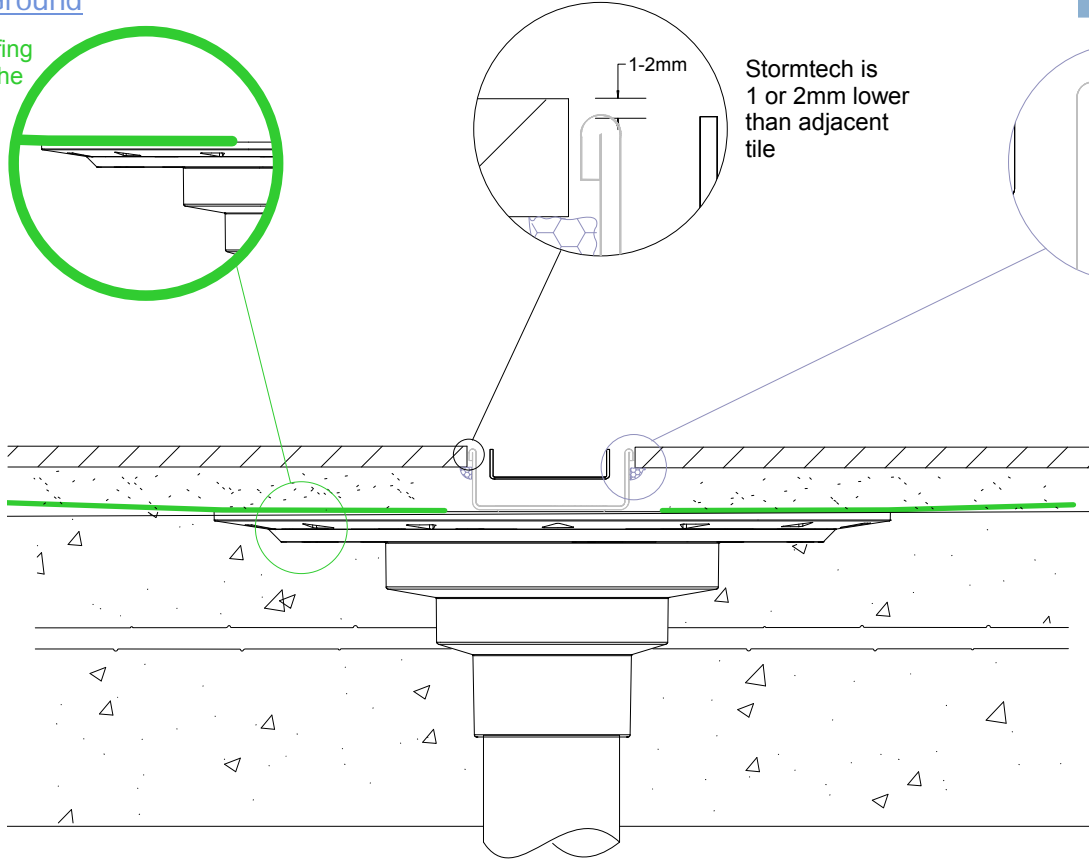


65Tii25 Concrete Floor or Deck



Slab on Ground

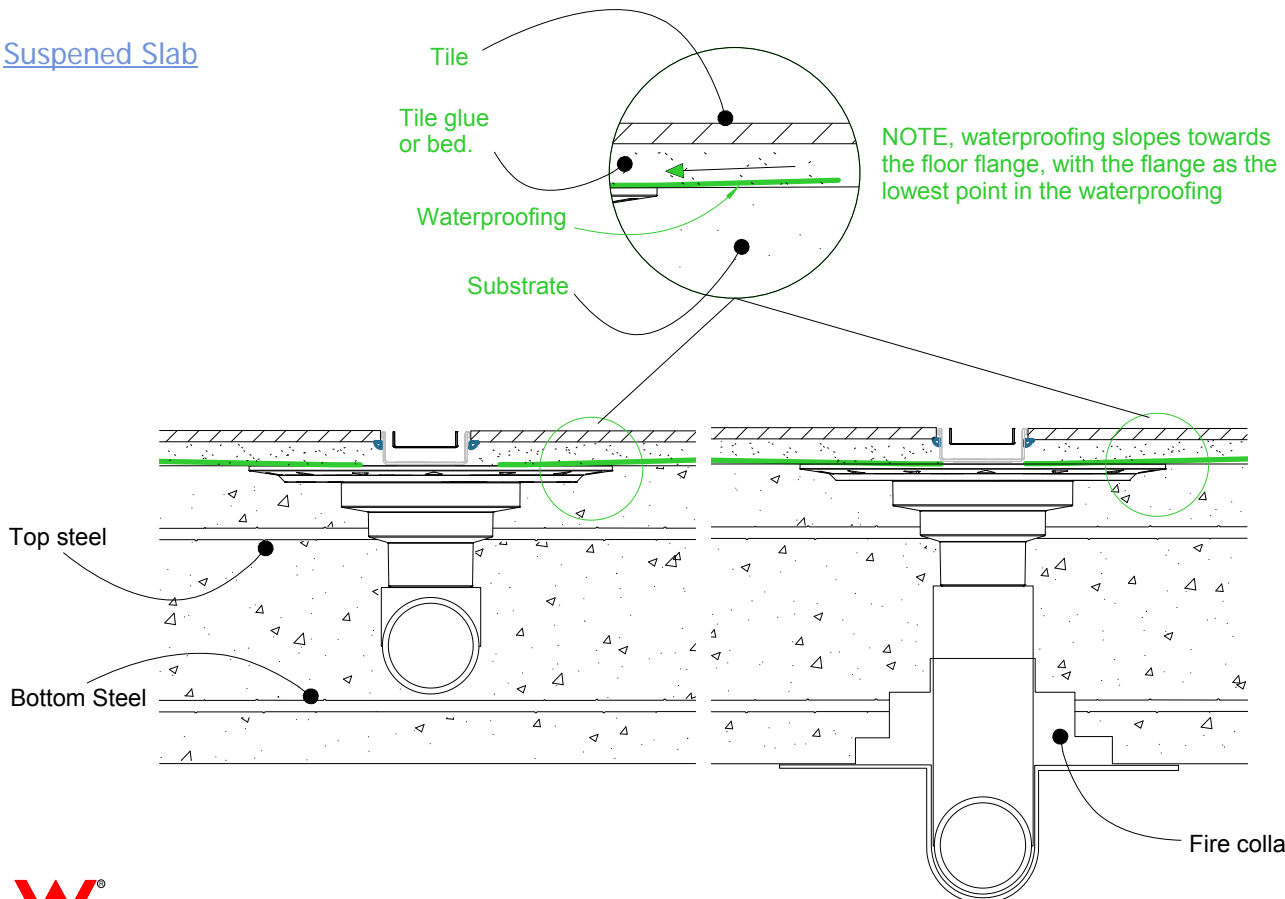
Waterproofing is fixed to the floor flange



Stormtech is 1 or 2mm lower than adjacent tile

Caulk bottom of tile to edge of Stormtech

Suspended Slab



NOTE, waterproofing slopes towards the floor flange, with the flange as the lowest point in the waterproofing

