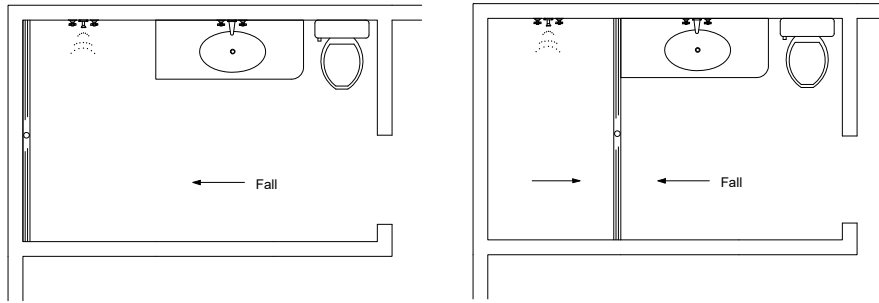
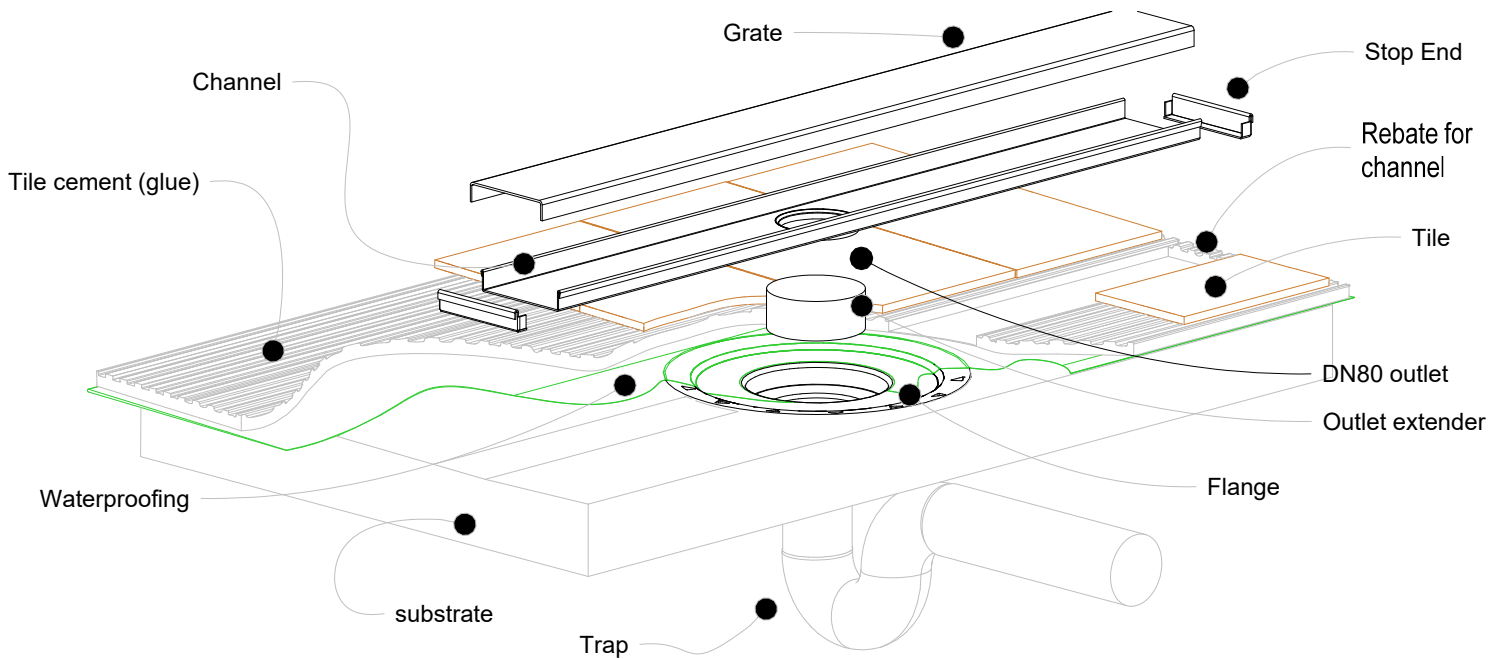


# 100i20 Bathroom (under 2m)

For 100ARi20, 100MNDi20,  
100PSi20, 100TRi20



NOTE, refer to AS3500 for specific outlet pipe sizes related to your specific installation.



NOTE, this method requires the channel system to be ABOVE and SEPARATE from the WATERPROOFING.

